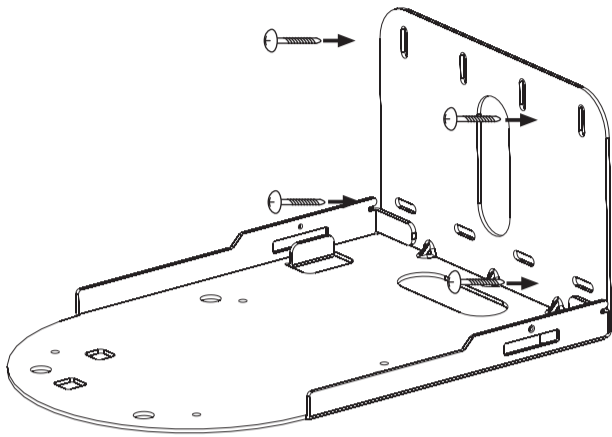
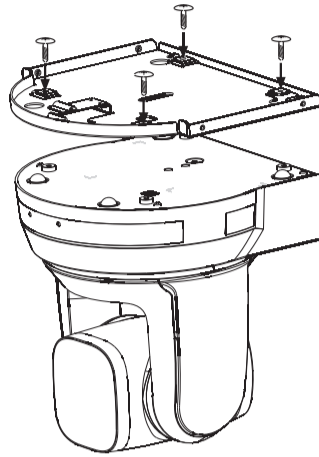


Installation

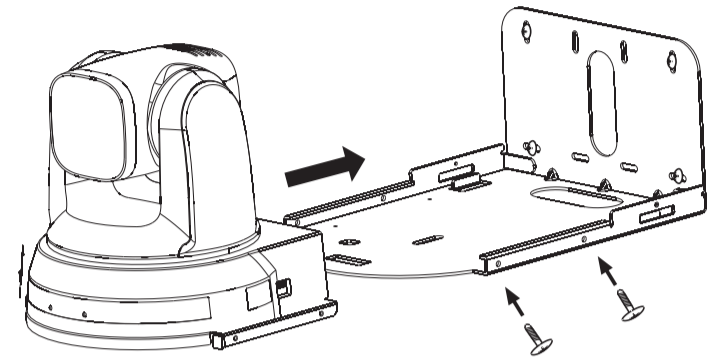
1. Secure the wall-mounted rack to the wall.



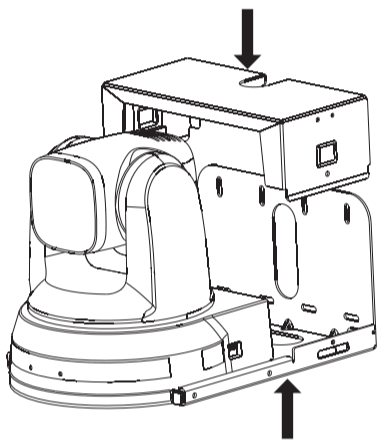
2. Attach the PTZ camera to the tray with M3 screws.



3. Slide the tray with the PTZ camera into the grooves of the L-shaped stand. Tighten the screws on both sides.



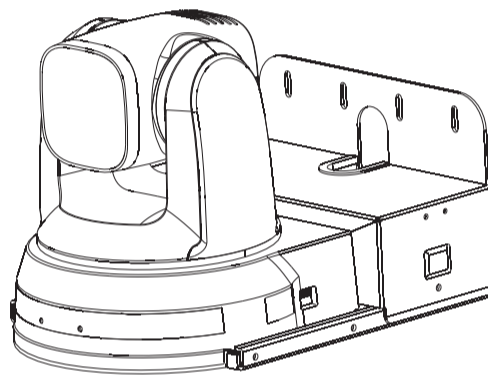
4. Connect the cable and power cord to the PTZ camera and place the baffle board onto the stand.



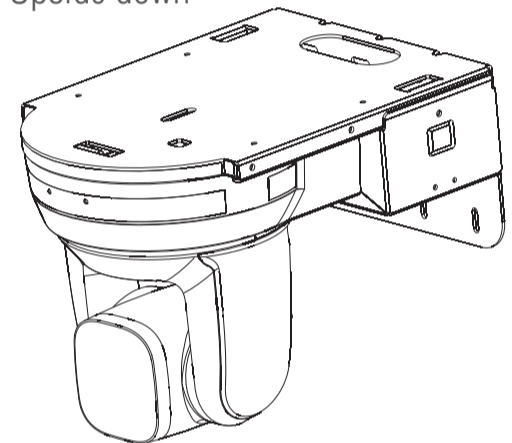
Cable and power cord

Finished Assembly

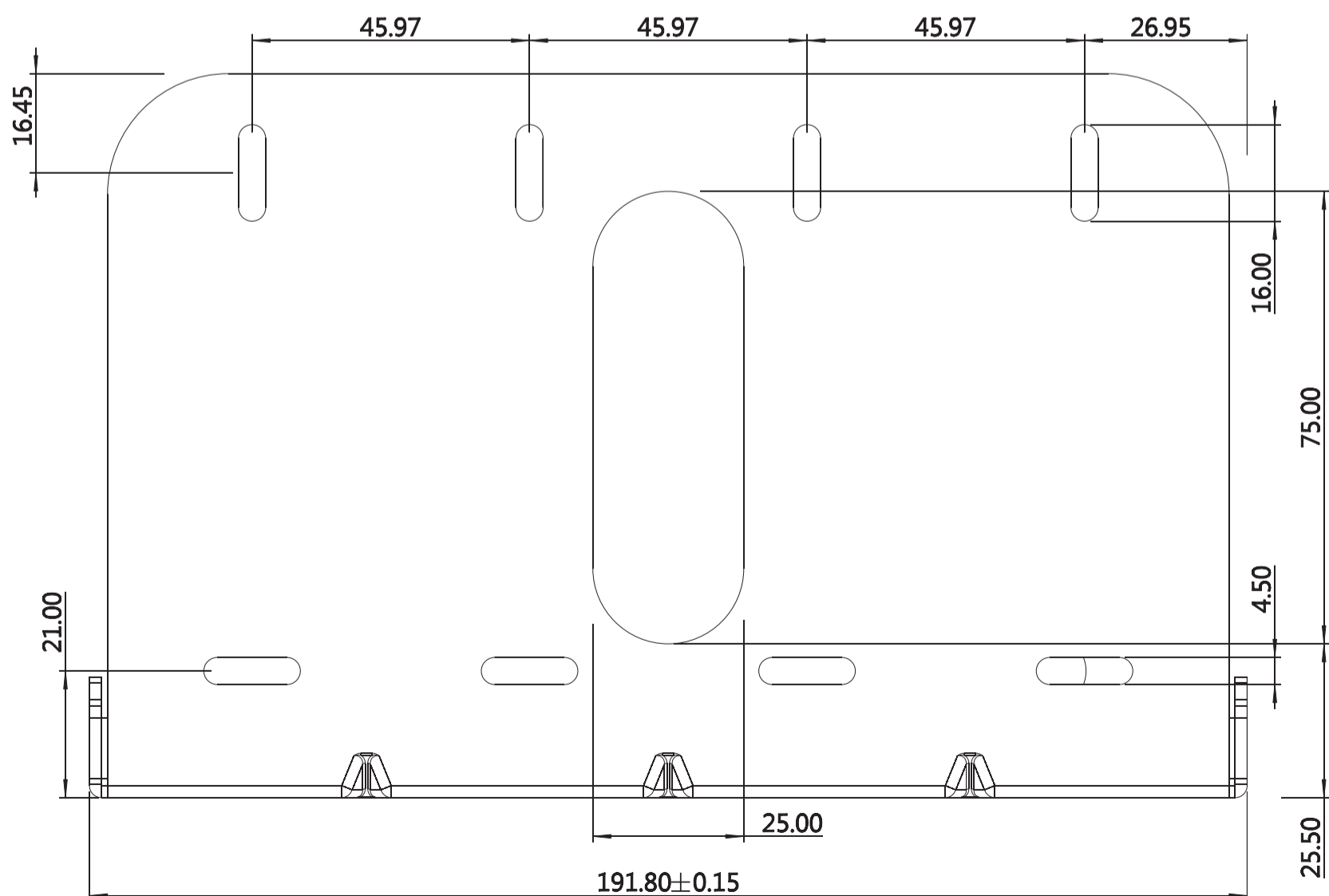
Right-side up



Upside down



Dimensions



* In 1:1 scale