

# Marshall

---

## Family of Cameras



Miniature HD Cameras.....	2
Miniature HD NDI® HX3 CAMERAS.....	5
Compact HD/UHD/4K Cameras.....	6
Compact HD/UHD/4K NDI® HX3 CAMERAS.....	8
PTZ Cameras.....	10
PTZ NDI® HX3 CAMERAS.....	13
Camera Equipment and Tools.....	14
Weatherproof Camera Housing.....	17
Camera Mounts and Solutions.....	18

Marshall has become a global source for Broadcast-quality video cameras in HD, UHD, and 4K resolutions serving a variety of workflow configurations. Over 40-years of experience collaborating with some of the top broadcast and professional AV integrators in the world of video production has conditioned us to design and build high-level camera performance with reliable video signals and durable builds. Making big leaps forward each generation over the past decade while maintaining extremely affordable price points at exceptional value.

## Welcome to the Marshall Family of Cameras

### MINIATURE HD CAMERAS

#### CV504-WP

ALL-WEATHER MICRO CAMERA (3GSDI)

- 2.2 Megapixel Sony sensor with square pixel array and larger pixels
- Interchangeable M12 lens mount, comes with 4.0mm - 85° H.AOV lens
- 10-foot (3 meter) weatherproof IP67 breakout cable to BNC, RS485, power
- 3GSDI (10bit, 4:2:2, BT.709) reliability with remote adjust and match capability
- 1920x1080p, 1920x1080i & 1280x720p resolutions available
- Frame rates: 60, 59.94, 50, 30, 29.97, 25, 24, 23.98fps
- Remote adjust & match via CV-RCP-V2, Camera Control Software and 3rd party sources such as Cyanview, Skaarhoj and more
- Power Draw: 2.64W (max 6W) with 7-15V flexibility

**IP 67** WEATHER PROOF



New Sony 1/2.8" (6.46mm)  
Solid-State Image Sensors



## MINIATURE HD CAMERAS

### CV504

MINIATURE FULL-HD CAMERA 3GSDI

- 2.2 Megapixel Sony sensor with square pixel array
- Interchangeable M12 lens mount; comes with a 4.0mm - 85° Horizontal AOV
- 3GSDI (BNC) 10bit, 4:2:2, BT.709 with remote adjust & match
- 1920x1080p, 1920x1080i & 1280x720p resolutions selectable
- Frame rates: 60, 59.94, 50, 30, 29.97, 25, 24, 23.98fps
- Control via CV-RCP-V2, Camera Control Software and/or a variety of 3rd party sources
- Micro-USB port for field upgradable firmware via PC
- Locking Hirose cable (included) for OSD menu joystick, RS485, AUDIO and power



3GSDI

LENS  
OPTIONS

RS-485  
CONTROL

TRS AUDIO

### CV508

MICRO POV CAMERA HDMI & 3GSDI

- 2.2 Megapixel Sony sensor with square pixel array and larger pixels
- Interchangeable M12 lens mount; comes with a 4.0mm - 85° Horizontal AOV
- HDMI & 3GSDI (10bit, 4:2:2, BT.709) with remote adjust and match
- 1920x1080p, 1920x1080i & 1280x720p resolutions selectable
- Frame rates: 60, 59.94, 50, 30, 29.97, 25, 24, 23.98fps
- Control via CV-RCP-V2, Camera Control Software and/or a variety of 3rd party sources
- Micro-USB port for field upgradable firmware via PC
- Locking Hirose cable (included) for OSD menu joystick, RS485, AUDIO and power



3GSDI

HDMI

LENS  
OPTIONS

RS-485  
CONTROL

TRS AUDIO

### CV566

MICRO GENLOCK CAMERA  
3GSDI & HDMI

- 2.5 Megapixel (1/2.86") sensor (4:2:2 color)
- Tri-Level Sync (Genlock) for quick, smooth transitions
- Interchangeable M12 lens mount includes stock 4.0mm lens (85° AOV)
- HD resolutions: 1920 x 1080p, 1920 x 1080i, and 1280 x 720p
- Frame rates: 60, 59.94, 50, 30, 29.97, 25, 24, 23.98 fps
- Remote adjust/match through RS485 (Visca) and OSD menu joystick
- Free downloadable camera control software or CV-RCP-V2 (CCU)
- Color Matrix function:  
Style, Master Level, Master Phase, Color Level, Color Phase



3GSDI

HDMI

LENS  
OPTIONS

RS-485  
CONTROL

TRS AUDIO

GENLOCK  
Tri-Level Sync



### CV568

MINIATURE GLOBAL SHUTTER CAMERA WITH GENLOCK (3GSDI & HDMI)

- 3.2 Megapixel (1/1.8") Global Shutter sensor
- Tri-Level Sync (Genlock) for quick, smooth transitions
- HD resolutions: 1920 x 1080p, 1920 x 1080i, and 1280 x 720p
- Frame rates: 60, 59.94, 50, 30, 29.97, 25, 24, 23.98 fps
- Interchangeable M12 Lenses - 4.4mm (84° AOV) standard
- Simultaneous HDMI & 3GSDI outputs with Tri-Level Sync
- Color Matrix function:  
Style, Master Level, Master Phase, Color Level, Color Phase



### CV228

ALL-WEATHER HD LIPSTICK CAMERA

- Full-sized 3G/HDSDI (BNC) video output
- 2.5 Megapixel (1/2.8") sensor (4:2:2 color)
- Interchangeable 4.0mm lens with 85° Horizontal AOV
- 10-foot (3 meter) breakout cable with BNC (3GSDI), RS485, and locking 12V power
- Interchangeable M12 lens with IP67 cap includes stock 4mm lens (85°H. AOV)
- IP67-rated weatherproof housing; submerge in water up to 10-feet for several hours
- Full-HD resolutions: 1920x1080p, 1920x1080i and 1280x720p
- Frame rates: 60, 59.94, 50, 30, 29.97, 25 fps
- Remote adjustable through RS485 (Visca) or OSD menu joystick
- CV-RCP-V2 Touchscreen RCP compatible and free Camera Control Software option
- Wide range of picture adjustment settings including white balance, color, gain control, pedestal (blacks), white clip, Exposure, gamma, and more



Built for rugged outdoor or dirty environments where dust, dirt, water, mud, and snow become a factor.

# MINIATURE HD NDI® HX3 CAMERAS

Broadcast quality video performance, AOV/FOV flexibility, simultaneous output formats, remote adjust-and-match features, and durable build quality at affordable price points

## CV574

MINIATURE UHD CAMERA  
NDI® HX3 & HDMI

- 8.5 Megapixel 1/2.8" Sony solid-state image sensor
- Interchangeable M12 lens mount comes with 4.0mm – 85° H.AOV lens
- 3840x2160p, 1920x1080p, 1920x1080i & 1280x720p resolutions available
- Frame rates: 60, 59.94, 50, 30, 29.97, 25fps
- HDMI + network support for NDI|HX3, HEVC, SRT, RTSP, MPEG-TS and other IP streaming codecs
- One-cable to camera option for power (PoE), video, audio, and remote setting control
- Remote adjust & match via Visca over IP, NDI Tools, Software GUI, RCP, Camera Control Software
- PoE over Cat cable or 12V power with included power supply

NDI®HX3 Premium, Efficient, Low Latency, Loss-less Streaming Codec



ULTRA HD	NDI.HX3	HDMI	SRT READY
IP H.265 HEVC	PoE	LENS OPTIONS	RS-485 CONTROL

## CV570

MINIATURE POV CAMERA  
NDI® HX3 AND HDMI

- 2.2 Megapixel Sony sensor with larger pixels and square pixel array
- Interchangeable M12 lens mount comes with 4.0mm – 85° H.AOV lens
- HDMI + network support for NDI HX3, HEVC, SRT, RTSP, MPEG-TS and other IP streaming codecs
- One-cable to camera option for power (PoE), video, audio, and remote setting control
- 1920x1080p, 1920x1080i & 1280x720p resolutions available
- Frame rates: 60, 59.94, 50, 30, 29.97, 25, 24, 23.98fps
- Remote adjust & match via Visca over IP, NDI|Tools, RCP, Camera Control
- Power Draw: 6W with 7~15V flexibility or PoE over Cat cable



NDI.HX3	HDMI	SRT READY	
IP H.265 HEVC	PoE	LENS OPTIONS	RS-485 CONTROL



## COMPACT HD/UHD/4K CAMERAS

### CV346

COMPACT HD CAMERA  
3GSDI & HDMI

- 2.5 Megapixel (1/2.8") sensor (4:2:2 color)
- Flexible CS/C Lens Mount (lens sold separately)
- HD resolutions: 1920 x 1080p, 1920 x 1080i, and 1280 x 720p
- Frame rates: 60, 59.94, 50, 30, 29.97, 25, 24, 23.98 fps
- Remote adjust with OSD Menu, Camera Control Software & Touchscreen CV-RCP-V2 (CCU)



CS/Mount Lens  
Sold Separately



### CV366

COMPACT GENLOCK CAMERA  
3GSDI & HDMI

- 2.5 Megapixel (1/2.8") sensor (4:2:2 color)
- Tri-Level Genlock Sync for quick and seamless transitions
- Flexible CS/C Lens Mount (lens sold separately)
- HD resolutions: 1920 x 1080p, 1920 x 1080i, and 1280 x 720p
- Frame rates: 60, 59.94, 50, 30, 29.97, 25, 24, 23.98 fps
- Remote adjust with OSD Menu, Camera Control Software & Touchscreen CV-RCP-V2 (CCU)
- Color Matrix function:  
Style, Master Level, Master Phase, Color Level, Color Phase



CS/Mount Lens  
Sold Separately



### CV368

COMPACT GLOBAL CAMERA WITH  
GENLOCK (3GSDI & HDMI)

- 3.2 Megapixel (1/1.8") Global Shutter sensor
- Tri-Level Sync (Genlock) for quick, smooth transitions
- Flexible CS/C Lens Mount (lens sold separately)
- HD resolutions: 1920 x 1080p, 1920 x 1080i, and 1280 x 720p
- Frame rates: 60, 59.94, 50, 30, 29.97, 25, 24, 23.98 fps
- Remote adjust with OSD Menu, Camera Control Software & Touchscreen CV-RCP-V2 (CCU)
- Color Matrix function:  
Style, Master Level, Master Phase, Color Level, Color Phase



CS/Mount Lens  
Sold Separately



COMPACT HD/UHD/4K CAMERAS

CV380-CS

COMPACT 4K30 CAMERA  
6GSDI & HDMI

- 6G-SDI (single BNC) & HDMI 1.4 outputs
- 8.5 Megapixel (1/2.5") sensor (4:2:2)
- CS/C-mount for Varifocal or Fixed lenses
- True-4K: 4096 x 2160p @ 30, 29.97, 25, 24, 23.98 fps
- Ultra-HD: 3840 x 2160p @ 30, 29.97, 25, 24, 23.98 fps
- HD (Progressive): 1080p / 720p @ 60, 59.94, 50, 30, 29.97, 25, 24, 23.98 fps
- HD (Interlaced): 1920 x 1080i @ 60, 59.94, 50 fps
- Color Matrix function: Style, Master Level, Master Phase, Color Level, Color Phase
- TRS stereo audio inputs (mic & line level)
- Remote adjust and match through RS485 (Visca) or OSD menu joystick



CS/Mount Lens  
Sold Separately



CV355-10X

COMPACT 10X CAMERA  
(3GSDI & HDMI)

- 2.5 Megapixel (1/2.86") sensor (4:2:2 color)
- 10x Optical zoom (4.7~47mm) starting at 60° H.AOV - 12x Digital
- 3GSDI & HDMI simultaneous outputs
- Resolutions: 1920x1080p, 1920x1080i & 1280x720p
- Frame rates: 60, 59.94, 50, 30, 29.97, 25, 24 & 23.98fps
- 3.5mm TRS Stereo Audio over I/O cable (Mic/Line)



CV355-30X-IP

HD60 30X WITH IP HEVC & 3GSDI

- 8 Megapixel (1/2.5") UHD sensor up to 3840x2160p60fps
- 30X Optical Zoom (4.6~135mm) starting at 68° H.AOV - 12x Digital
- HDMI & IP (HEVC) triple-stream simultaneous outputs
- Resolutions: 3840x2160p, 1080p, 1080i & 720p
- Frame rates: 60, 59.94, 50, 30, 29.97, 25, 24 & 23.98fps
- Ethernet I/O supports video, control, and PoE over a single cable
- RS232 and 3.5mm audio input with passthrough



## COMPACT HD/UHD/4K CAMERAS

### CV420-30X

4K60 30X 12GSDI, IP HEVC & HDMI

- 8 Megapixel (1/2.5") UHD sensor up to 3840x2160p @ 60fps
- 30X Optical Zoom (4.6~135mm) starting at 68° H.AOV – 12x Digital
- 12G/6G/3G-SDI, HDMI & IP (HEVC) triple-stream simultaneous outputs
- Resolutions: 3840x2160p, 1080p, 1080i & 720p
- Frame rates: 59.94, 50, 29.97, 25 fps
- Ethernet I/O supports video, control, tally and PoE over one-cable
- RS232 and 3.5mm audio input with pass through
- Visca over IP, Onvif, SRT compliant



### CV420-30X-IP

4K60 30X IP (HEVC) & HDMI

- 8 Megapixel (1/2.5") UHD sensor up to 3840x2160p60fps
- 30X Optical Zoom (4.6~135mm) starting at 68° H.AOV – 12x Digital
- HDMI & IP (HEVC) triple-stream simultaneous outputs
- Resolutions: 3840x2160p, 1080p, 1080i & 720p
- Frame rates: 60, 59.94, 50, 30, 29.97, 25, 24 & 23.98fps
- Ethernet I/O supports video, control, tally and PoE over one-cable
- RS232 and 3.5mm audio input with pass through
- Visca over IP, Onvif, SRT compliant



## COMPACT HD/UHD/4K NDI® HX3 CAMERAS

### CV355-30X-NDI

HD60 30X WITH NDI® HX3 & 3GSDI

- 8 Megapixel (1/2.5") UHD sensor up to 3840x2160p60fps
- 30X Optical Zoom (4.6~135mm) starting at 68° H.AOV – 12x Digital
- HDMI & IP (HEVC) triple-stream simultaneous outputs
- Resolutions: 3840x2160p, 1080p, 1080i & 720p
- Frame rates: 60, 59.94, 50, 30, 29.97, 25, 24 & 23.98fps
- Ethernet I/O supports video, control, and PoE over a single cable
- RS232 and 3.5mm audio input with pass through
- NDI® discoverable, controllable, manageable via NDI Tools





COMPACT HD/UHD/4K NDI® HX3 CAMERAS

CV420e

COMPACT 4K60 STREAM CAMERA WITH IP, HDMI & USB

- Sony 1/1.8" 4K sensor
- 9.2 million pixels with large pixel size
- 4.5mm lens with 100° H.AOV (no curvature) + 12x clear digital zoom
- ePTZ maneuverable with HD images within UHD sensor for FOV adjustment
- Control options: IR remote included, CGI commands, Visca over IP, UVC and ONVIF
- Video output up to 3840x2160p at 60fps, 1080p, 1080i and 720p
- Video output options of USB + HDMI or IP + HDMI
- Multiple IP simultaneous streams (HEVC + 2x H.264)
- Low Light sensitivity (0.05 Lux) and Wide Dynamic Range



<b>BARCO</b>	<b>PoE</b>	
<b>ULTRA HD</b>	<b>NDI.HX3</b>	<b>HDMI</b>
<b>USB 3.0</b>	<b>TRS AUDIO</b>	<b>IP H.265 HEVC</b>
		<b>SRT READY</b>

CV420Ne

COMPACT 4K60 STREAM CAMERA NDI® HX3, HDMI & USB

- Sony 1/1.8" 4K sensor
- 9.2 million pixels with large pixel size
- 4.5mm lens with 100° H.AOV (no curvature) + 12x clear digital zoom
- ePTZ maneuverable with HD images within UHD sensor with savable presets
- Control options: NDI|Tools, IR remote, UVC and ONVIF
- Video output up to 3840x2160p at 60fps, 1080p, 1080i & 720p
- Video output options of USB + HDMI or NDI|HX3 + HDMI
- Low latency, lossless NDI|HX3 streaming over challenging networks
- Low Light sensitivity (0.05 Lux) and Wide Dynamic Range.



<b>BARCO</b>	<b>PoE</b>	
<b>ULTRA HD</b>	<b>NDI.HX3</b>	<b>HDMI</b>
<b>USB 3.0</b>	<b>TRS AUDIO</b>	<b>IP H.265 HEVC</b>
		<b>SRT READY</b>

CV370

COMPACT POV CAMERA NDI® HX3 & HDMI

- 2.2 Megapixel Sony sensor with larger pixels and square pixel array
- Flexible interchangeable CS & C lens mount - lens sold separately
- HDMI + network support for NDI|HX3, HEVC, SRT, RTSP, MPEG-TS and other IP streaming codecs
- One-cable to camera option for power (PoE), video, audio, and remote setting control
- 1920x1080p, 1920x1080i & 1280x720p resolutions available
- Frame rates: 60, 59.94, 50, 30, 29.97, 25, 24, 23.98fps
- Remote adjust ' match via Visca over IP, NDI|Tools, RCP, Camera Control
- PoE over Cat cable or 12V power with included power supply



CS/Mount Lens Sold Separately

	<b>NDI.HX3</b>	<b>HDMI</b>	<b>SRT READY</b>
<b>IP H.265 HEVC</b>	<b>PoE</b>	<b>LENS OPTIONS</b>	<b>RS-485 CONTROL</b>

# Marshall

## COMPACT HD/UHD/4K NDI® HX3 CAMERAS

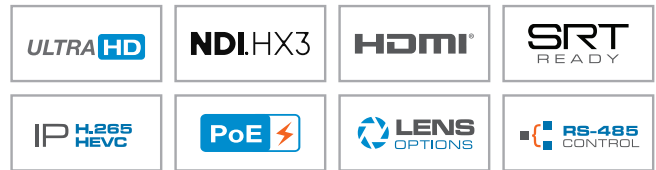
### CV374

COMPACT 4K (UHD) CAMERA  
NDI® HX3 & HDMI

- 8.5 Megapixel 1/2.8" Sony UHD solid-state image sensor
- Flexible interchangeable CS & C lens mount - lens sold separately
- 3840x2160p, 1920x1080p, 1920x1080i & 1280x720p resolutions available
- Frame rates: 60, 59.94, 50, 30, 29.97, 25fps
- HDMI + network support for NDI|HX3, HEVC, SRT, RTSP, MPEG-TS and other IP streaming codecs
- One-cable to camera option for power (PoE), video, audio, and remote setting control
- Remote adjust & match via Visca over IP, NDI|Tools, Software GUI, RCP, Camera Control Software
- PoE over Cat cable or 12V power with included power supply



CS/Mount Lens  
Sold Separately



### CV420-30X-NDI

4K60 30X NDI® & HDMI

- 8 Megapixel (1/2.5") sensor up to 1080p60fps
- 30X Optical Zoom (4.6~135mm) starting at 68° H.AOV - 12x Digital
- 3GSDI, HDMI & IP (HEVC) triple-stream simultaneous outputs
- Resolutions: 1920x1080p, 1920x1080i & 1280x720p
- Frame rates: 60, 59.94, 50, 30, 29.97, 25, 24 & 23.98fps
- Ethernet I/O supports video, control, and PoE over a single cable



## PTZ CAMERAS

### CV730-BHN/WHN

30X UHD60 NDI® PTZ CAMERA

- 9.2 million pixel UHD Sensor (1/1.8") with Sony square pixel array
- 30x Optical zoom (6.5mm-202mm) starting at 65° H.AOV
- Smart Auto-Focus AI System ensures faces and eyes stay in focus at all times
- 340° pan & 120° tilt range with select-able transition speeds (5~300° per second)
- 12GSDI, 3GSDI, HDMI2.0, NDI|HB, NDI|HX3 or IP (SRT/HEVC)
- 3840x2160p (UHD), 1920x1080p (HD), 1920x1080i and 1280x720p
- All frame rates have access to 59.94, 50, 29.97, 25fps frame rates
- 3.5mm TRS Stereo Audio over I/O cable (Mic/Line)
- 12V Power Supply included (30W max) and PoE++
- Low-light performance - 0.05 lux (F1.6, 50IRE)



Available  
in white



PTZ CAMERAS

CV730-BK/WH

30X UHD60 IP (HEVC) PTZ CAMERA

- 8.5 Megapixel UHD Sensor (1/1.8")
- 30x optical zoom (6.5mm~202mm) starting at 65° H.AOV
- 340° pan & 120° tilt range with select-able transition speeds (5~300° per second)
- 12GSDI, HDMI2.0, USB3.0 and IP (SRT/HEVC) simultaneous outputs
- 3840x2160p (UHD), 1920x1080p (HD), 1920x1080i (HD) & 1280x720p
- 59.94, 50, 29.97, 25fps options up to UHD60 and HD60
- 3.5mm TRS Stereo Audio over I/O cable (Mic/Line)

IP H.265 HEVC PoE++ RS-232 CONTROL TRS AUDIO

SRT READY ULTRA HD 30X OPTICAL ZOOM 12GSDI HDMI USB 3.0



Available in white

CV630-IP/IPW

30X UHD30 IP (HEVC) PTZ CAMERA

- 8.5 Megapixel (1/2.5") UHD sensor
- 30x optical zoom (4~135mm) starting at 70° H.AOV
- 340° pan & 120° tilt range with select-able transition speeds (5~300° per second)
- 3GSDI, HDMI, and IP (SRT/HEVC) simultaneous outputs
- 3840x2160p (UHD), 1920x1080p (HD), 1920x1080i (HD) & 1280x720p
- 59.94, 50, 29.97, 25fps options up to UHD60 and HD60
- 3.5mm TRS Stereo Audio over I/O cable (Mic/Line)

IP H.265 HEVC ULTRA HD IP H.264 3GSDI

30X OPTICAL ZOOM HDMI PoE+ RS-232 CONTROL TRS AUDIO ZIXI



Available in black

CV620-BI/WI

20X FULL-HD60 IP PTZ CAMERA

- 2.5 Megapixel (1/2.8") HD sensor
- 20x optical zoom (5mm~110mm) starting at 63° H.AOV
- 340° pan & 120° tilt range with select-able transition speeds (5~300° per second)
- IP (H264), 3GSDI and HDMI simultaneous outputs
- 1920x1080p (HD), 1920x1080i (HD) & 1280x720p
- 59.94, 50, 29.97, 25fps options up to HD60
- 3.5mm TRS Stereo Audio over I/O cable (Mic/Line)

IP H.264 STREAMING 3GSDI SRT READY HDMI RS-232 CONTROL

Available in white





## PTZ CAMERAS

### CV620-TBI/TWI

#### 20X AI TRACK & FOLLOW PTZ CAMERA

- Accurate auto-track, follow and frame subjects using AI facial learning technology
- 2 Megapixel HD Sensor (1/2.8") – 1080p & 720p (progressive), 1080i (interlaced)
- 60, 59.94, 50, 29.97, 25 frames per second in all resolutions
- 3GSDI, HDMI and IP (H.264) simultaneous outputs
- 20x optical zoom (5.3mm~110mm) starting at 60° H.AOV
- 340° pan and 120° tilt range with selectable PTZ maneuver speeds
- Commands via Free-D, CGI, Visca over IP/RS232/RS422 ONVIF
- IP formats: DHCP, DNS, HTTP, HTTPS, NTP, RTSP, TCP, SRT, MPEG-TS, RTMP, RTMPS



Available in black



### CV605-BK/WH

#### 5X HD60 3GSDI/IP PTZ CAMERA

- 2 Megapixel (1/3") HD sensor
- 5x optical zoom (3mm-15mm) starting at 85° H.AOV
- 3GSDI and IP (HEVC/H.265/H.264) simultaneous outputs
- One-cable to camera optional setup (power, video, audio, control)
- 1920x1080p (HD), 1920x1080i (HD) & 1280x720p
- 59.94, 50, 29.97, 25fps options up to HD60
- 3.5mm TRS Stereo Audio over I/O cable (Mic/Line)



Available in white



### CV605-U3/U3W

#### 5X HD60 USB-C/IP/HDMI PTZ CAMERA

- 2 Megapixel (1/3") HD sensor
- 5x optical zoom (3mm-15mm) starting at 85° H.AOV
- USB-C, HDMI and IP (HEVC/H.265/H.264) simultaneous outputs
- One-cable to camera optional setup (power, video, audio, control)
- 1920x1080p (HD), 1920x1080i (HD) & 1280x720p
- 59.94, 50, 29.97, 25fps options up to HD60
- 3.5mm TRS Stereo Audio over I/O cable (Mic/Line)



Available in black



**PTZ NDI® HX3 CAMERAS**

**CV730-ND3/ND3W**

30X UHD60 NDI® HX3 PTZ CAMERA

- 9.2 Megapixel Sony UHD sensor (1/1.8")
- 30x optical zoom (6.5mm~202mm) starting at 65° H.AOV
- Smart Auto-Focus System; AI-enabled focus ensures faces stay in focus
- 340° pan & 120° tilt range with select-able transition speeds (5~300° per second)
- 12G/6G/3G-SDI, HDMI2.0, USB3.0 and NDI®|HX3. Simultaneous outputs
- 3840x2160p (UHD), 1920x1080p (HD), 1920x1080i (HD) & 1280x720p
- 59.94, 50, 29.97, 25fps options up to 4K60 and HD60
- 3.5mm TRS Stereo Audio over I/O cable (Mic/Line)

NDI HX3	HDMI®
TRS AUDIO	USB 3.0
ULTRA HD	HEVC
PoE++	
30X OPTICAL ZOOM	
RS-232 CONTROL	
12GSDI	



Available in white

**CV730-NDIW**

30X UHD60 NDI® PTZ CAMERA

- 8.5 Megapixel (1/1.8") UHD sensor
- 30x optical zoom (6.5mm~202mm) starting at 65° H.AOV
- 340° pan & 120° tilt range with select-able transition speeds (5~300° per second)
- 12GSDI, HDMI2.0, USB3.0 and NDI |HX simultaneous outputs
- NDI |I5 enabled with full access to NDI |Tools & Workflow
- 3840x2160p (UHD), 1920x1080p (HD), 1920x1080i (HD) & 1280x720p
- 59.94, 50, 29.97, 25fps options up to UHD60 and HD60
- 3.5mm TRS Stereo Audio over I/O cable (Mic/Line)

NDI HX3	ULTRA HD	30X OPTICAL ZOOM	12GSDI	USB 3.0
TRS AUDIO	PoE++	RS-232 CONTROL	HDMI®	



Available in black

**CV630-NDI/NDIW**

30X UHD30 NDI® PTZ CAMERA

- 8.5 Megapixel (1/2.5") UHD sensor
- 30x optical zoom (4~135mm) starting at 70° H.AOV
- 340° pan & 120° tilt range with select-able transition speeds (5~300° per second)
- 3GSDI, HDMI and NDI®|HX simultaneous outputs
- NDI®|I5 enabled with full access to NDI®|Tools & Workflow
- 3840x2160p (UHD), 1920x1080p (HD), 1920x1080i (HD & 1280x720p)
- 59.94, 50, 29.97, 25fps options up to UHD60 and HD60
- 3.5mm TRS Stereo Audio over I/O cable (Mic/Line)

30X OPTICAL ZOOM	HDMI®	PoE+	RS-232 CONTROL	HEVC
NDI HX3	3GSDI	ULTRA HD	TRS AUDIO	



Available in black

## PTZ NDI® HX3 CAMERAS

### CV630-ND3

25X UHD30 NDI® HX3 PTZ CAMERA

- 8MP 1/2.5" sensor
- 25X Optical Zoom (4.6-135mm) near 70-degree AOV at widest
- Simultaneous 3GSDI and HDMI with NDI® HX3. plug and play
- Simultaneous pan, tilt, and zoom
- 3840x2160p, 1920x1080p, and 1280x720p
- Stereo audio input (mic or line level) embedding
- 340° pan, 120° tilt, and 25X zoom range
- Simply Connect to any Ethernet Port - THAT'S IT
- Video, Audio, Control, Tally, and Power (PoE+) over ONE ETHERNET CABLE



## CAMERA EQUIPMENT & TOOLS

### VS-PTC-IP

PTZ IP CAMERA CONTROLLER

- Cross protocol mix-control with RS232/RS422 and IP
- Protocol support: VISCA, PELCO D/P, ONVIF, and VISCA over IP
- High-quality joystick allows for effortless, one-handed pan, tilt, and zoom adjustments
- Tactile feel with professional rocker/seesaw switch for zoom control
- Automatically search available IP cameras in a network and assign IP addresses easily
- Tally Indicator: Includes Normal Tally/On-Air Tally/Contact Modes
- Quick control of exposure, shutter speed, iris, compensation, white balance, focus, pan/tilt speed, zoom speed
- Multi-color key/button illumination indicator directs operation to specific functions



### VS-PTC-300

PTZ CAMERA IP/ NDI® CONTROLLER

- Simultaneously control via IP, NDI, RS232/RS422 or IP, USB, RS232/RS422
- Protocol support: VISCA, PELCO D/P, ONVIF, NDI, and VISCA over IP
- High-quality joystick allows for effortless, one-handed pan, tilt, and zoom adjustments
- Tactile feel with professional rocker/seesaw switch for zoom control
- Automatically search available IP/NDI cameras in a network and assign IP addresses easily
- Supports RTSP and NDI Preview on 3" LCD Screen
- Tally Indicator: Includes Normal Tally/On-Air Tally/Contact Modes
- Quick control of exposure, shutter speed, iris, compensation, white balance, focus, pan/tilt speed, zoom speed
- Multi-color key/button illumination indicator directs operation to specific functions





**CAMERA EQUIPMENT & TOOLS**

**VS-PTC-200**

COMPACT PTZ CAMERA CONTROLLER

- Joystick (4D) allows simultaneous control over Pan, Tilt, Zoom & Focus
- 128 Preset locations with smooth adjustable transition speeds
- One touch control over Brightness, Back Light, Mirror/Flip, Freeze Capture
- Full Duplex RS-232 & RS-422 Communication Interface
- VISCA or PELCO setup available via RS422/RS232
- Suitable for [Marshall CV605](#), [CV610](#), [CV612](#), [CV620](#), [CV630](#)
- Compact Design - Dims 7.87"(L) x 4.72"(W) x 4.06"
- 12V DC (less than 2W)
- 0.5kg (1.1lb)

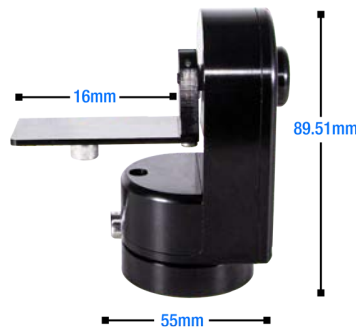


Specifically designed for CV620 & CV612 PTZ Cameras (Visca and Pelco)

**CV-PT-HEAD**

MICRO PAN/TILT HEAD

- Smooth simultaneous pan & tilt movements
- 350° horizontal pan range
- 360° vertical tilt range
- Durable IP65 weatherproof body
- Standard 1/4"-20 mount access from bottom
- PT Head comes with patch-cable from base to camera
- Mount on common camera stands or inverted (flip image)
- PT head payload: 400 grams & 20-60mm wide camera
- 12-35V @ 0.5A + camera (12V @ 1A)



Camera not included.



**CV-MICRO-J2**

MINI JOYSTICK CONTROLLER

For seamless plug-and-play, use the ultra-affordable CV-MICRO-J2 with full sized joystick controller (sold separately) providing great flexibility in an ultra-small package, Step-up options are available.

**CV-BATT-PAC**

PORTABLE CAMERA POWER KIT

- Rugged, all-metal construction
- Supplies up to 3 hours of power under most operating conditions
- Allows for instant battery swaps in the field
- Designed for use with all standard tripods and mounting equipment
- Includes 7.2V Canon battery and battery charger
- **Suitable for use with all Marshall Miniature and Compact HD Cameras**



### VAC-23SHUC

#### HDMI/SDI TO USB CONVERTER

- HDMI inputs to USB-C (3.0/2.0) output
- HDMI loop-outs (pass thru) to other workflows
- HDMI input up to 4096 x 2160p at 30fps
- USB-C (3.0) output up to 3840 x 2160p at 30fps
- 3.5mm embedded line-in audio jack to USB (48KHz)
- Replaces existing HDMI audio track.  
(Does not add audio where track is missing)
- USB2.0 backward compatible (maximum 1280 x 720 @30 on USB2.0)
- Supported operating systems (Windows 10, Windows 11 and Mac OS)
- All power derived from USB port
- Plug and play operation. No special driver required



### CV-RCP-V2

#### MULTI-CAMERA CONTROL TOUCHSCREEN RCP

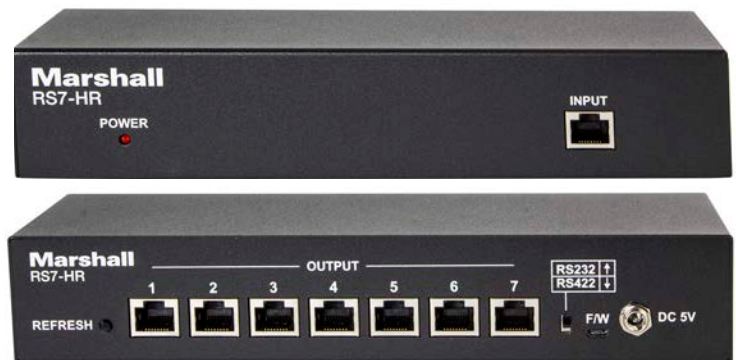
- Easily convert to fiber using common fiber media converters for much longer distances.
- Seven cameras are select-able from ALL screen menus with intuitive navigation layout.
- Global or individual camera adjustment capability without OSD (On-screen Display) Menu appearing on video stream.
- Adjust Red/Blue, Pedestal (Black-levels), Brightness (AE Offset), Gain, Gamma, Iris, Shutter, • Saturation, Hue, Optical/Digital Zoom, Pan-Tilt, Focus, and more.
- Rugged machined aluminum enclosure provides durability while a larger 5-inch
- Easy access USB port for field up-gradable firmware and memory saves using USB thumb drives (sold separately).
- Red and Blue adjustment follows every screen menu with optional Favorites Menu to save important controls to specific events for easy access.
- Set up multiple cameras with one global preset or multiple presets that are savable on-board the RCP unit or external USB memory sticks.
- Low power consumption requires 12V power at less than 12W (AC or battery packs).



### RS7-HR

#### RS232 / RS422 HOME RUN (1 TO 7) EXTENDER

- Splits one Cat (RJ45) control cable to 7 cameras via Home Run.
- Easy and clean setup from Marshall Controllers (VS-PTC-IP, VS-PTC-200) and others.
- Extends usable RS232 Cat cable runs for control of cameras to 100m from controller to RS7-HR box and another 100m to each of seven camera locations (200m total). Using RS422 it extends (300m + 300m for a total of 600m).
- Easy access dip switches to switch between RS232 and RS422.
- Refresh button is used when any changes are made (add/remove, dip switch change)
- Rack mount ears provided (1 pair) for 1RU 19" rack mount and small ears (1 pair) for optional table or wall mount.



Rack mountable RS232 / RS422 Distribution box for up to 7 Pan Tilt Zoom Cameras. RS7-HR is compatible with CV610-U3/W-V2, CV620-BK4/WH4, CV612HT-4K, CV630-IP/IPW, CV630-NDI/NDIW, CV730-BK/WH, CV730-NDI/NDIW. *Currently not compatible with CV610-UB.*



Rack Mount Kit Included

**WEATHERPROOF CAMERA HOUSING**

**CV-H20-HF**

COMPACT WEATHERPROOF CAMERA HOUSING WITH FAN & HEATER

- Weatherproof-dust tight housing
- IK10 vandal-proof compliance enclosure
- Die cast aluminum body, mounting arm, and sun-hood
- Built-in Heater, Fan, and attachable Sun-hood
- Suitable for any of the Marshall Compact Cameras, part#: [CV420-30X-IP](#), [CV420-30X-NDI](#), [CV355-30X-IP](#), [CV355-30X-NDI](#), [CV355-10X](#), [CV344](#), [CV346](#), [CV366](#), [CV368](#)
- Top open access for easy installation & service
- Fits Camera Size (mm): 108 (W) x 75 (H) x 180 (L)
- Overall Housing Size (mm): 157 (W) x 130 (H) x 340 (L)
- Wall Mount Arm 360° Swivel - 90° Tilttable



Power supply not included.

**CV-H20-HFL**

COMPACT WEATHERPROOF EXTENDED CAMERA HOUSING WITH FAN & HEATER

- Weatherproof housing
- IK10 vandal-proof compliance enclosure
- Top: ABS & PC / Bottom: Aluminum / Sun-Shield: Aluminum Built-in Heater, Fan, and attachable Sun-hood
- Suitable for any of the Marshall Compact Cameras part# [CV420-CS](#), [CV420-18X](#) and [CV420-30X](#)
- Top open access for easy installation & service
- Fits Camera Size (mm): 89 (W) x 85 (H) x 300 (L)
- Overall Housing Size (mm): 157 (W) x 130 (H) x 460 (L)
- Wall Mount Arm 360° Swivel - 90° Tilttable



Power supply not included.

**CV6XX-DH**

OUTDOOR DOME HOUSING

- Secure weatherproof housing for CV630 and CV620 Series PTZ cameras
- IK10 Vandal proof compliance enclosure
- Die cast aluminum compliance enclosure
- Compatible Cameras: [CV630-NDI](#) [CV630-NDIW](#) [CV630-IP](#) [CV630-IPW](#) [CV620-BI](#) [CV620-WI](#) [CV620-TBI](#) [CV620-TWI](#)
- Built in Heater and Blower
- Fits Camera Size (mm): 174(W) x 185.5 (H) x 186.5mm (L)
- 9" Dome housing with 118mm transparent cover.
- Wall Mount Arm 360° Swivel - 90° Tilttable
- Seamlessly connects with weatherproof CV-H20-PWR power supply 110v, 240v switchable



Power supply not included.



Camera not included.



## WEATHERPROOF CAMERA HOUSING

### CV-H20-Power

WEATHERPROOF HOUSING  
POWER SUPPLY

- AC24V power transformer and enclosure
- Weatherproof/dust-tight housing
- IK10 vandal-proof compliance enclosure
- Die-cast aluminum body
- Suitable for wall mounting with open access for wiring and service
- Overall Housing Size (mm): 140 (W) x 200 (H) x 90 (L)



Camera housing  
sold separately.



The CV-H20-PWR is an AC24V power supply that affixes to the back of the CV-H20-HF Weatherproof Camera Housing to supply power to its internal fan and heater.



## CAMERA MOUNTS AND SOLUTIONS

### CVM-25

COMPACT LIGHT WEIGHT  
58" FLOOR TRI-POD

- Fully extended reaches 58"
- Maximum Load = 3 kilograms
- 3 level leg adjustments and rubber non-slip swivel feet for maximum stability.
- Desktop measurement 18.5"
- Zipper bag (included)
- 2 bubble level indicator

1/4-20" Compact Camera  
Stands & Mount Solutions



Cameras not included.

CAMERA MOUNTS AND SOLUTIONS

CVM-5

UNIVERSAL 1/4"-20 CAMERA CLIP MOUNT

Clip mount for monitors, desktop, dividing walls. Perfect for Unified Communications and Teleconference cameras that need to sit gently on top of monitor.



Camera not included.

CVM-6

ADHESIVE CAMERA MOUNT KIT

Assorted mounting options for Marshall miniature and compact cameras. Includes (2) swivel ball mounts (1/4"-20), (2) adjustable knuckle arms, (2) adhesive base mounts and lipstick camera clip (19mm diameter).



Camera not included.

CVM-14

TABLE-TOP TRIPOD STAND

Adjustable, sturdy tripod mount designed for POV cameras with swivel head and adjustable height (1/4"-20). Enables you to get precise viewing angles even under the toughest conditions.



Camera not included.



CVM-15

WALL MOUNT PLATE (1/4-INCH SCREW HOLE)

Wall Mount Plate with 3 mounting screws and 1/4-inch center hole for CVM-7 (7") and CVM-11 (11") Articulating Locking Arms or any other compatible mounting arms.

CVM-16

PRO-STYLE TRIPOD STAND

Balanced tripod with extending legs and fully-adjustable and locking mount head. Can be extended using the CVM-17 for additional height. (1/4"-20).



Camera not included.

CVM-18

CLAMP WITH ADJUSTABLE CAMERA MOUNT

Adjustable clamp (3" max pole width) with removable swivel ball mount (1/4"-20) for mounting Marshall miniature and compact cameras on trusses, railings, and poles.

- Max Length: 4.5"
- Max Load Weight of Ball Mount: Up to 6 lbs.



# **Marshall**

BROADCAST & **PRO AV**