

VS-TRM-200 / VS-TRM-202 / VS-TRM-204

Rack mount holder for 16 pcs of VS-11 / VS-102 / VS-14

Rack Solution

Operating Conditions

- Temp: 5 - 50 °C

Connections

- Power: 100-240 VAC, 50/60 Hz, 1.6 A

Dimensions and Weight

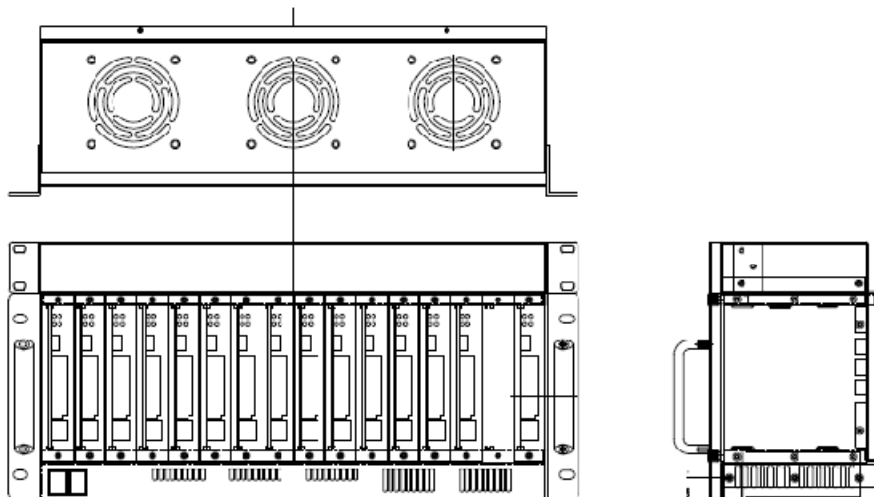
- Height: 210 mm / 8.3 in (5 RU)
- Width: 482.8 mm / 19 in
- Depth: 145 mm / 5.7 in
- Weight: 6.7 kg / 14.8 lbs



| | |
|------------|--|
| VS-TRM-200 | Rack mount holder for 16 pcs of VS-11 |
| VS-TRM-202 | Rack mount holder for 16 pcs of VS-102 |
| VS-TRM-204 | Rack mount holder for 16 pcs of VS-14 |

Shown with optional modules installed

OUTLINE



Features, specifications, pricing, and dimensions are subject to change without notice.
Physical appearance of products may vary slightly from images shown on this document. Please visit our website for updates and information.